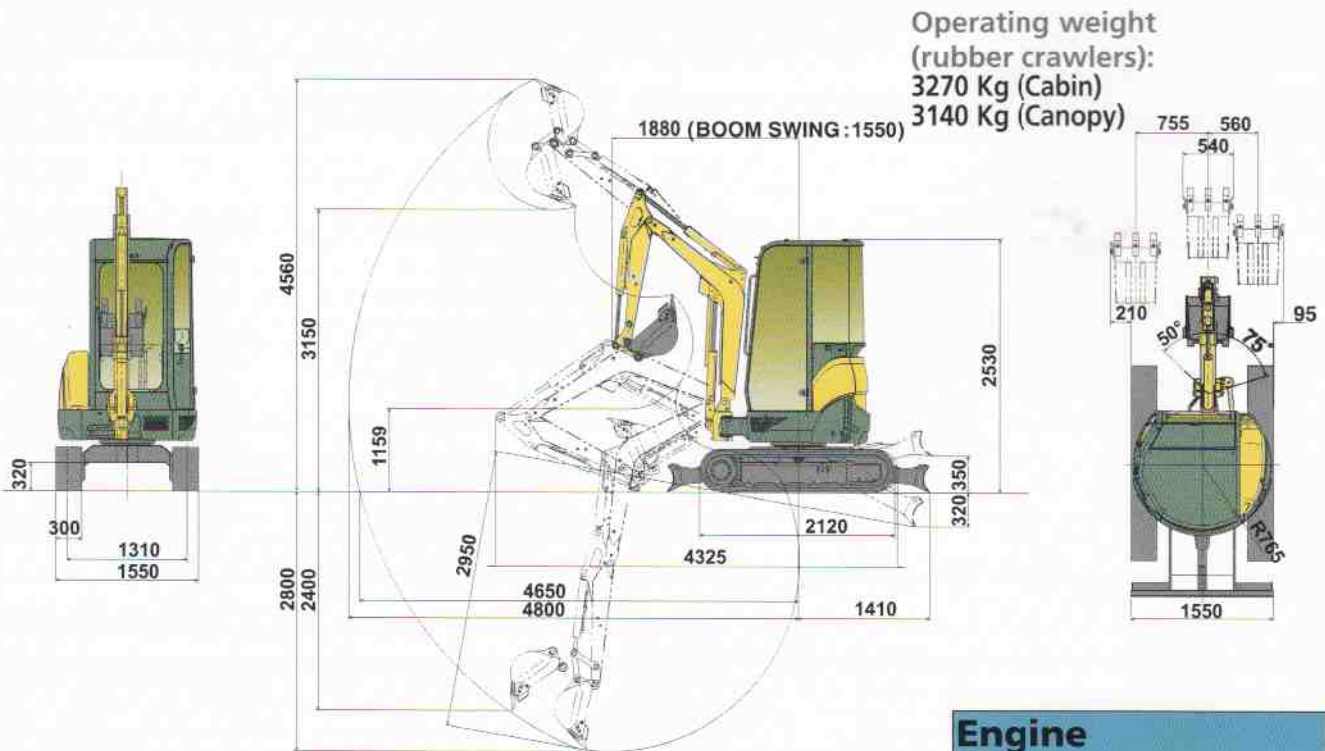


SPECIFICATIONS VIO 30



Operating weight
(rubber crawlers):
3270 Kg (Cabin)
3140 Kg (Canopy)

The manufacturer reserves the right to alter vehicle specifications.
Dimensions in mm given with standard Yanmar bucket.

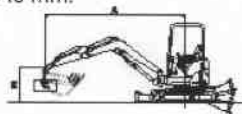
Machine with canopy, rubber crawlers, bucket of 540 mm.

A : Reach from swing center line (m).

B : Load point height (m).

C : Rated lift capacity (kg).

(+ 4 % with cabin)



		Blade on ground							
A	Maxi	3,0 m		2,5 m		2,0m			
B									
3,0	430	*680	*620	*620	-	-	-	-	
2,5	360	*700	540	*700	*660	*660	-	-	
2,0	330	*700	540	*770	730	*880	-	-	
1,0	290	*700	490	*1010	680	*1300	870	*1750	C
0	310	*750	490	*1140	630	*1450	910	*1960	
-1,0	410	*750	480	*940	640	*1270	930	*1730	
-1,5	520	*730	-	-	640	*960	940	*1310	

Rating over front

Rating over side 180°

		Blade above ground							
A	Maxi	3,0 m		2,5 m		2,0m			
B									
3,0	430	490	*620	*620	-	-	-	-	
2,5	360	430	540	*660	*660	*660	-	-	
2,0	330	390	540	630	720	*830	-	-	
1,0	290	350	490	580	680	790	870	1060	C
0	310	360	490	570	630	760	910	1090	
-1,0	400	480	480	580	640	760	930	1130	
-1,5	520	630	-	-	640	760	940	1090	

The lifted loads listed is RATED LIFT CAPACITY complies with ISO 10567.
Smaller values are of either the RATED TIPPING LOAD (75% of the static tipping load)
or the RATED HYDRAULIC LIFT CAPACITY (87% of hydraulic capacity).
The asterisked value * shows the rated hydraulic lift capacity.

Engine

Yanmar Diesel 3 cylinders.....3TNV82A-XBVA
Rated output (DIN 6270B).....18,4 kw/25 HP/2500 rpm
Displacement.....1331 cm³
Max. torque.....87,31 N.m./1500 rpm

Hydraulic circuit

Circuit capacity.....42 l
Max. pressure.....206 bar
2 variable plunger pumps.....2 x 38,75 l/mn
1 gear pump.....1 x 21,25 l/mn

Performances

Travelling speed.....2,7/4,6 km/h
Swing speed.....10 rpm
Digging force (arm/bucket).....1800 / 2800 kgf
Boom swing.(L/R).....50°/75°
Ground pressure*.....0,305/0,293 kg/cm²
Gradeability.....30°
Crawler width.....300 mm
Ground clearance.....320 mm
Blade (Length x Height).....1550 x 370 mm

Various data

Fuel tank.....37 L
Cooling system.....3,5 L
Transport dimensions (LxWxH).....4325 x 1550 x 2530 mm
Noise level : LWA (2000/14/EC)*.....97 / 97 dBA
* Cabin / Canopy

PTO	Max theoretical data	
	Pressure	At 2500 rpm
	0 - 206 bars	60 - 38,75 L/mn
	0 - 206 bars	60 - 38,75 L/mn



The flow is lower when the pressure is bigger.